

Aluminum heating blocks

Quality – Made in Germany

As option for CellTrans 2018, Cell-Trans 4016, Blockthermostat, Aspirator 3 with heating stage and Hot Plates following products are available:

Big aluminum heating blocks for



22 tubes à 5 ml
 $x = 54 \text{ mm}$, $\varnothing = 12.2 - 12.4 \text{ mm}$
 or 38 tubes à 13 ml
 $x = 66 \text{ mm}$, $\varnothing = 16.8 - 17.0 \text{ mm}$
 (can be mixed)

REF 10264



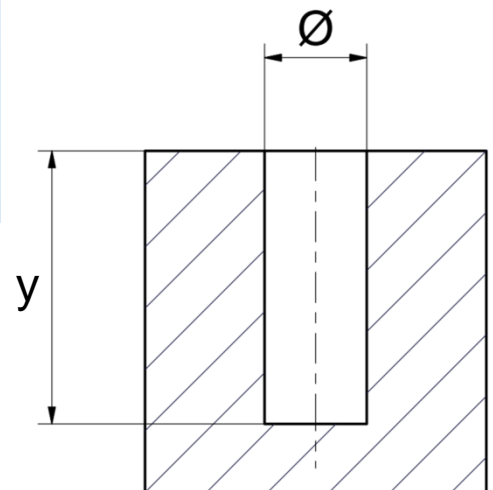
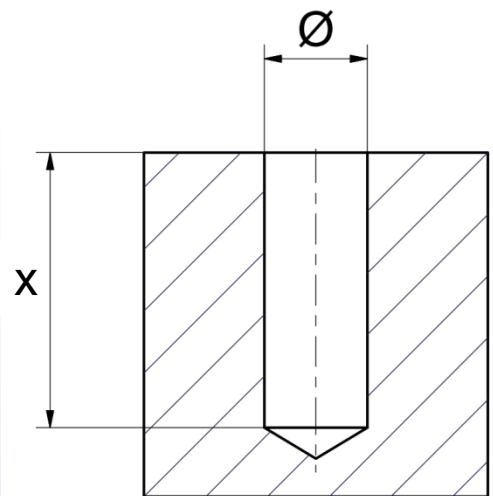
26 tubes à 25 ml or 26 ml
 $x = 68 \text{ mm}$, $\varnothing = 23.9 - 24.1 \text{ mm}$

REF 10277



12 tubes à 50 ml
 $y = 81 \text{ mm}$, $\varnothing = 29.95 - 30.05 \text{ mm}$

REF 14870



Small aluminum heating blocks* for



8 tubes à 13 ml
 $x = 60.5 \text{ mm}$, $\varnothing = 16.8 - 17.0 \text{ mm}$

REF 12974



5 tubes à 25 ml or 26 ml
 $x = 70 \text{ mm}$, $\varnothing = 24.0 - 24.1 \text{ mm}$

REF 12977



Rev. 10_02/2022

*The small heating blocks are not suitable for the CellTrans 2018