

Aluminum heating blocks

Quality – Made in Germany

As option for CellTrans 2018, Cell-Trans 4016, Blockthermostat, Aspirator 3 with heating stage and Hot Plates following products are available:

Big aluminum heating blocks for



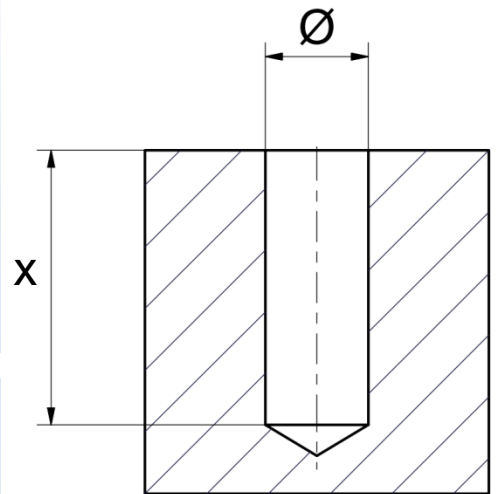
22 Falcon tubes à 5 ml
 $x = 54 \text{ mm}$, $\varnothing = 12.2 - 12.4 \text{ mm}$
 or 38 Falcon tubes à 13 ml
 $x = 66 \text{ mm}$, $\varnothing = 16.8 - 17.0 \text{ mm}$
 (can be mixed)

REF 10264



26 tubes à 25 ml or 26 ml
 (e.g. Falcon, Sarstedt or similar)
 $x = 68 \text{ mm}$, $\varnothing = 23.9 - 24.1 \text{ mm}$

REF 10277



Small aluminum heating blocks* for



8 tubes à 13 ml
 $x = 60.5 \text{ mm}$, $\varnothing = 16.8 - 17.0 \text{ mm}$

REF 12974



5 tubes à 25 ml or 26 ml
 (e.g. Falcon, Sarstedt or similar)
 $x = 70 \text{ mm}$, $\varnothing = 24.0 - 24.1 \text{ mm}$

REF 12977

*The small heating blocks are not suitable for the CellTrans 2018

Extra equipment for Cell-Trans 4016:



Position frame

for use of the Cell-Trans 4016 with two of the above mentioned small aluminum heating blocks

REF 10258

Big aluminum heating blocks for



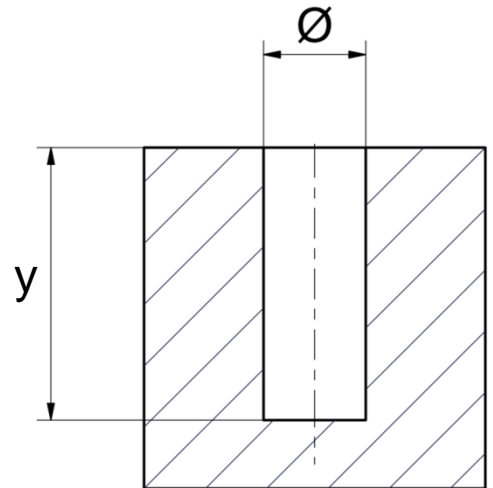
12 CCD tubes
 $y = 72 \text{ mm}$, $\varnothing = 35.5 - 35.6 \text{ mm}$

REF 14413

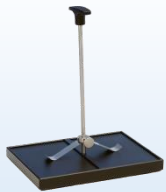


12 Falcon tubes à 50 ml
 $y = 81 \text{ mm}$, $\varnothing = 29.95 - 30,05 \text{ mm}$

REF 14870



Big aluminum heating block for



CellTrans 2018 for up to
10 microwell plates

REF 16961

Cell-Trans 4016 for up to
20 microwell plates

REF 15212



Rev. 7_09/2018